

MR-SR

SPECIFICATIONS

Average Weight:
20.2 pounds [9.2 kg]

Ultimate Strength:
40,000 pounds [177.9 kN]

Yield Strength:
30,000 pounds [133.4 kN]

Maximum Working Load*:
Up to 27,000 pounds [120.1 kN]
Holding Capacity is soil and anchor rod dependent

Soil Bearing Surface Area:
143.4 in² [952.2 cm²]

Type:
Impact Driven Soil Anchor for tensile loads

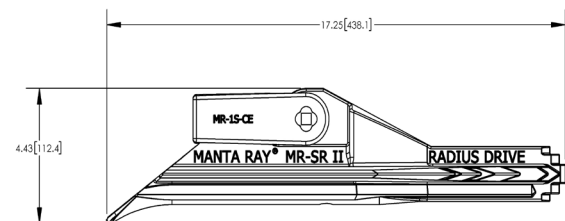
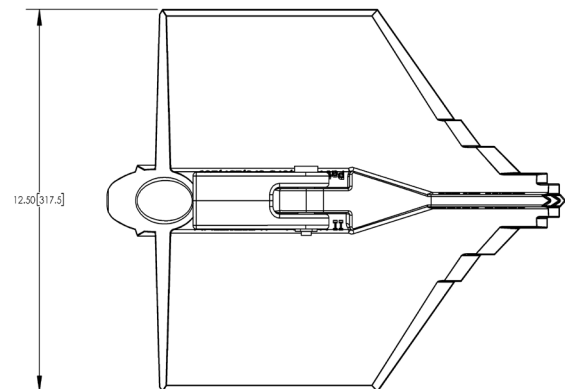
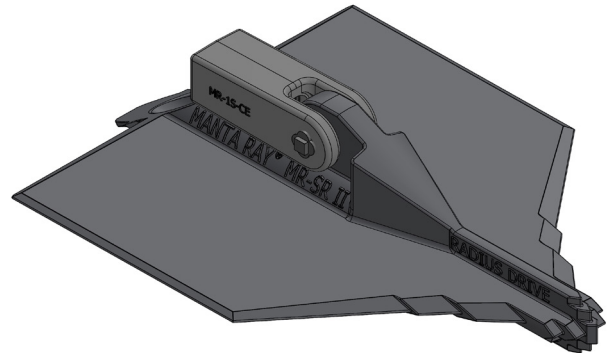
Material:
Ductile Iron per ASTM A536

Finish Specification:
Hot Dip Galvanized per ASTM A123

Anchor Rods:
3/4 in to 1 in [19mm to 25mm]

Note: Anchors may be tapped to accept a variety of thread forms consistent with the diameters above.

Typical Installation Depth:
6 ft to 30 ft [1.8 m to 9.1 m]



*Loads shown are in normal soil:
Typical Blow Count Range: 24-40 per ASTM-D1586