

ISS	REVISED BY:	REVISION DATE	ECD #
-----	-------------	---------------	-------



WRC-04 WIRE ROPECLIP
 QUANTITY: 6

NOTES:

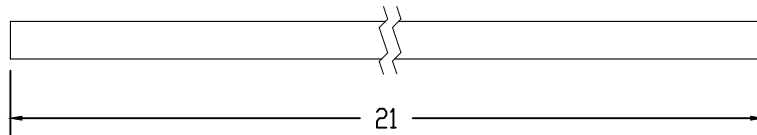
MATERIAL:
 HEAD - ALUMINUM, 22 KSI YIELD
 CABLE - STEEL (GAC/WHITE VINYL COAT)
 WIRE ROPE CLIP - STEEL

DIMENSIONS: INCHES

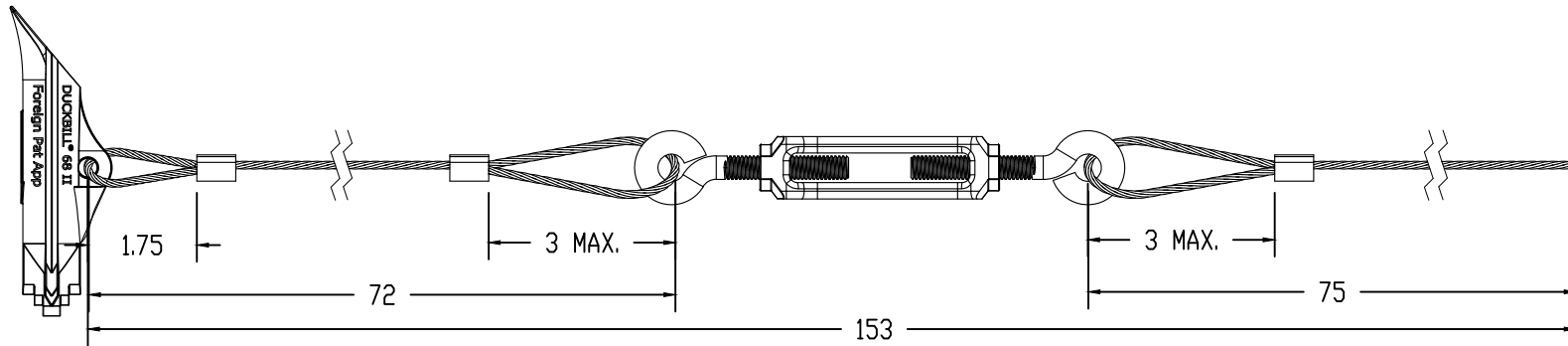
MECHANICAL RATING:
 ANCHOR RATING WORKING LOAD (RWL) BASED ON INSTALLATION
 IN CLASS 5 SOIL (BLOW COUNT 24-40 PER ASTM D-1586),
 AND MIN. INSTALL DEPTH.

ULT (LB)	RWL (LB)	SOIL BEARING AREA (IN ²)	MIN INSTALL DEPTH (IN)
1,650	1,100	5.07	30

CABLE ULTIMATE BREAKING STRENGTH (GAC):
 1/8 (.125) 1,700 LBS



TREE COLLAR TUBE
 QUANTITY: 3



QUANTITY: 3

CATALOG NUMBER:
 K068A12GC156T3X

SHEET NAME:
 Sheet1 1 OF 1

DRAWING DESCRIPTION:
 68-DTS-C - CLEAR WIRE COAT
 TREE GUYING KIT

DRAWN BY: DH DATE: 04/29/20 APPROVED: DR



WWW.MACLEANPOWER.COM

This drawing contains confidential information that is the property of MacLean Power, L.L.C. ("MacLean"). Use of MacLean's confidential information without MacLean's express written consent is strictly prohibited and may expose you to legal liability. If you believe that you received this material in error, please destroy it or return it to MacLean Power, L.L.C., Kingsley Park Five, 481 Munn Rd. Suite 300, Fort Mill, SC 29715, USA.