

ISS	REVISED BY:	REVISION DATE	ECO #

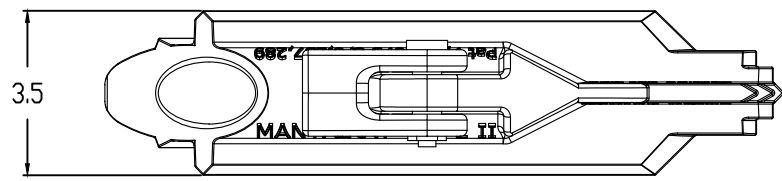
NOTES:

MATERIAL:
 HEAD AND SHACKLE; DUCTILE IRON, 40 KSI YIELD
 RIVET PIN; CARBON STEEL

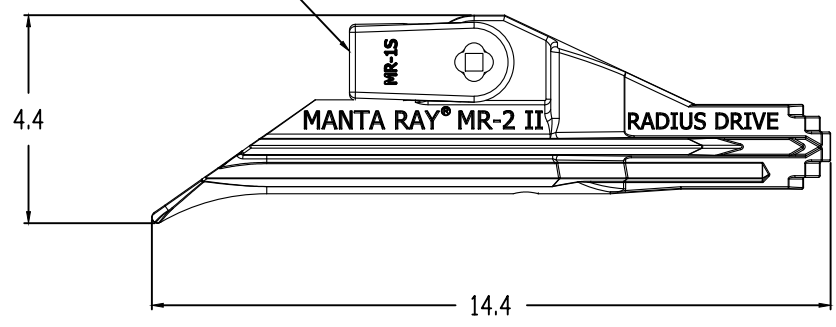
FINISH:
 HOT DIP GALVANIZED PER ASTM A123

DIMENSIONS: INCHES

MECHANICAL RATING:
 ULTIMATE TENSILE RATING: 40 KIPS
 SOIL BEARING SURFACE AREA: 42.8 IN²



TAPPED TO ACCEPT 1-8UNC
 THREADED RODS



This drawing contains confidential information that is the property of MacLean Power, L.L.C. ("MacLean"). Use of MacLean's confidential information without MacLean's express written consent is strictly prohibited and may expose you to legal liability. If you believe that you received this material in error, please destroy it or return it to MacLean Power, L.L.C., Kingsley Park Five, 481 Munn Rd. Suite 300, Fort Mill, SC 29715, USA.



WWW.MACLEANPOWER.COM

CATALOG NUMBER: 20199-UT-II		
SHEET NAME: Sheet1	1 OF 1	
DRAWING DESCRIPTION: MR-2-1-UT ANCHOR/SHACKLE ASSEMBLY		
DRAWN BY: DH	DATE: 09/26/19	APPROVED: DR