

ISS	REVISED BY:	REVISION DATE	ECO #

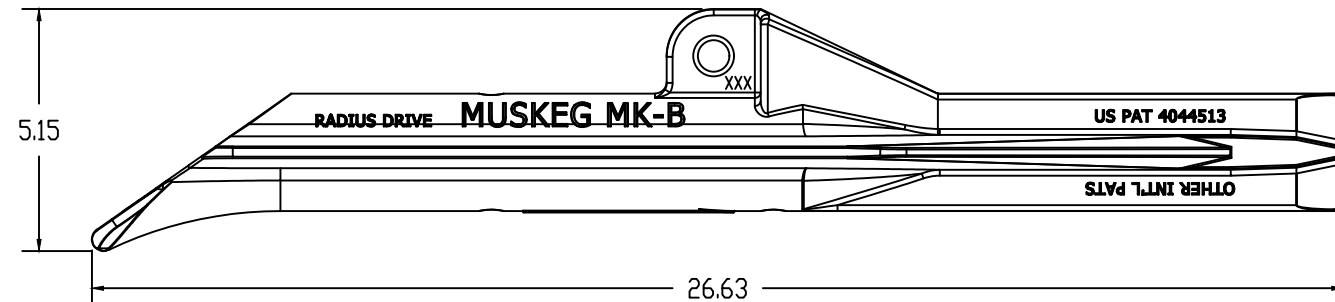
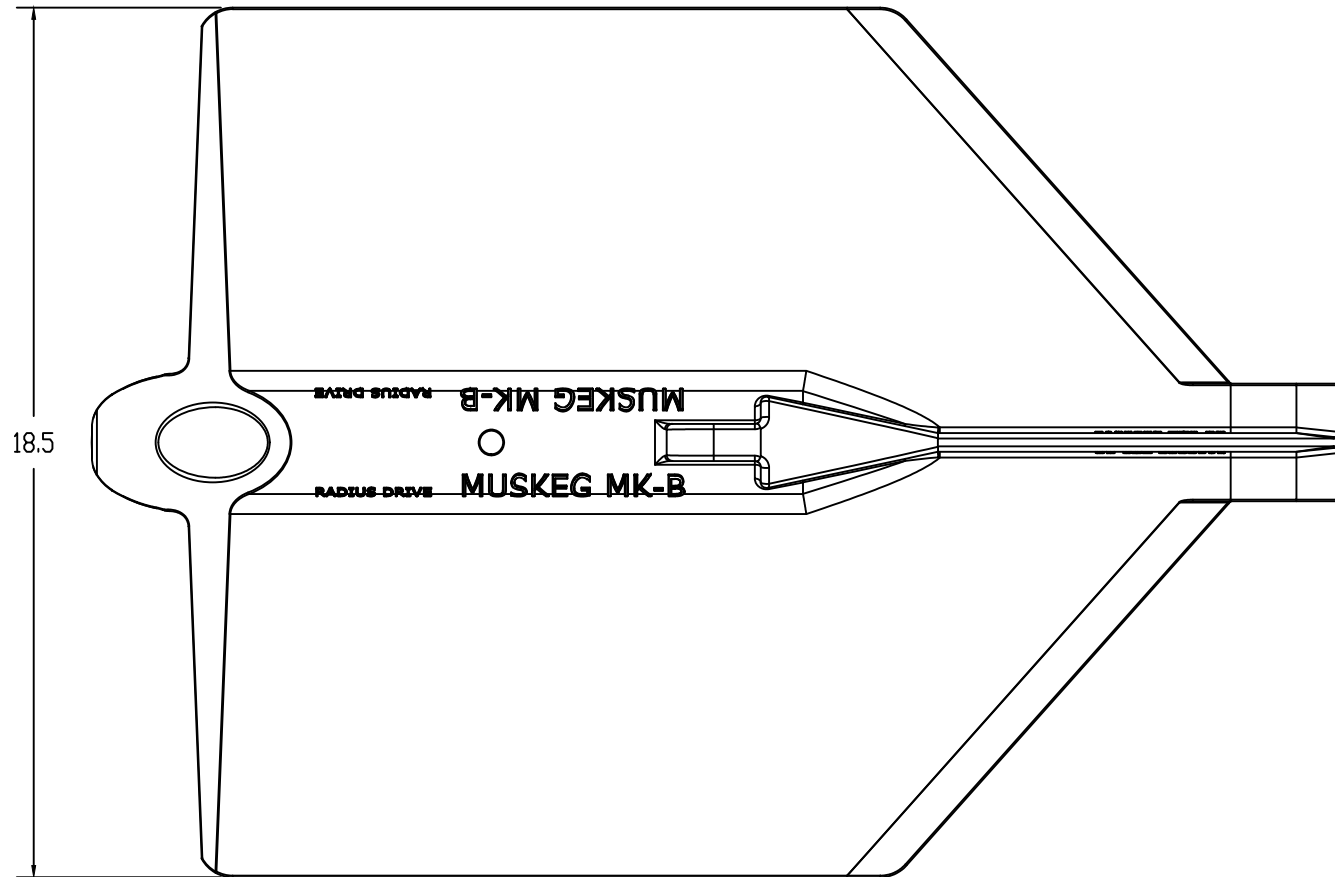
NOTES:

MATERIAL:
HEAD - DUCTILE IRON, 40 KSI YIELD

FINISH:
HOT DIP GALVANIZED PER ASTM A123

DIMENSIONS: INCHES

MECHANICAL RATING:
ULTIMATE TENSILE RATING: 40 KIPS
SOIL BEARING SURFACE AREA: 361.9 IN²



CATALOG NUMBER:			20032
SHEET NAME:		Sheet1	1 OF 1
DRAWING DESCRIPTION:			MK-BA ANCHOR HEAD
DRAWN BY:	DATE:	APPROVED:	
DH	05/21/21	DR	

This drawing contains confidential information that is the property of MacLean Power, L.L.C. ("MacLean"). Use of MacLean's confidential information without MacLean's express written consent is strictly prohibited and may expose you to legal liability. If you believe that you received this material in error, please destroy it or return it to MacLean Power, L.L.C., Kingsley Park Five, 481 Munn Rd. Suite 300, Fort Mill, SC 29715, USA.



WWW.MACLEANPOWER.COM